

OMNISTOR 1000

The compact low budget awning.

The Omnistor 1000 is one of the best awnings for caravans and smaller vehicles. Moreover, it is a buy for everyone.

The PVC fabric and the support arms are stored in the front profile and can be easily released. Erecting your awnings takes only a few minutes. The Omnistor 1000 front profile with the fabric and the support arms are safely stored (with security lock) in an aluminium box of very compact dimensions (6 x 10 cm).



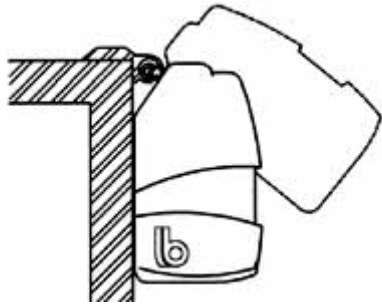
Also this awning can only be opened after unlocking the security catches. Safety has priority.



Unrolling is done in just one movement !



The support arms and the tension rafters are easily released from the frontprofile and put in position.



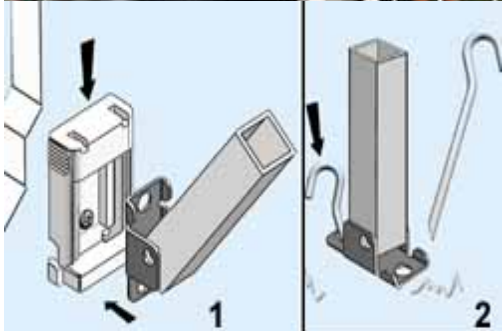
Very quickly installed into the rail already fitted.



"Quick Lock System" ensures height of the support feet is adjusted swiftly and easily.

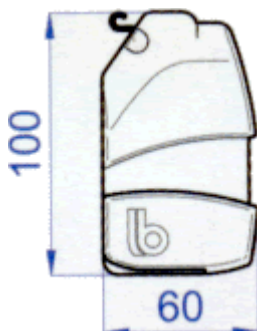


The feet of the support arms may be located into plastic brackets fixed to the vehicle wall (1) or to the ground (2) using the pegs supplied.

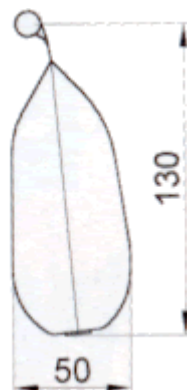


Omnistor 1000				Omnistor Caravan			
Article No.	Length	Projection	Weight	Article No.	Length	Projection	Weight
11019018	1.90 m	1.60 m	9 kg	130190	1.90 m	1.60 m	5.5 kg
11026018	2.60 m	2.00 m	11 kg	130260	2.60 m	2.0 m	8 kg
11030018	3.00 m	2.30 m	13 kg	130300	3.00 m	2.30 m	10 kg
				130350	3.50 m	2.30 m	13 kg

Omnistor '1000' unit



Omnistor 'caravan' unit



OMNISTOR 2000

Awning with telescopic arms and automatic roller system.

Through its elegant design and reduced box dimensions this light weight awning is extremely suitable for small vehicles, caravans and automobiles.

The box has a white finish.

The awning can easily be operated by hand. The locking system ensures the opening of the awning only after unlocking.

When pulling out the awning the projection can be adjusted by using the telescopic arms. The support arms are completely integrated in closed position and can also be released from the front profile very easily.

Due to the Quick Lock System the height adjustment is done in one movement. The awning is automatically rolled up again through the spring in the roller tube. The Omnistor 2000 is supplied as standard with the accessories for installation of a Safari-Room with clips and anti-slip.



Very quickly installed into the rail already fitted.



Also this awning can only be opened after unlocking the security catches.

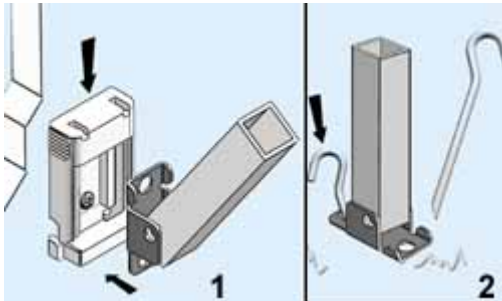
Safety has priority.



The awning is rolled out by hand. The awning is automatically rolled up again due to the spring in the roller tube.



Awning with telescopic arms and adjustable projection.



The support arms can be located into plastic brackets fixed to the vehicle wall or to the ground using the pegs supplied.



"Quick Lock System" ensures the height of the support feet is adjusted swiftly and easily.

Omnistor 2000, the perfect light weight awning for caravans, smaller vehicles and automobiles.

Omnistor 2000			
Article No	Length	Projection	Weight
120190	1.90 m	1.30 m	11 kg
120260	2.60 m	2.00 m	14.5 kg
120300	3.00 m	2.15 m	17.5 kg

Omnisol



The Omnisol and its larger version, the [Omnistor 5500](#) are currently the best awnings available from the European market - a practical and elegant solution for people requiring more space and extra shade. The Omnisol is extremely easy to operate. The fully integrated winding mechanism is easily operated by the telescopic handle supplied. The awning operates smoothly as the front profile is cranked out. The support legs are quickly and easily released from the front profile. The "Quick Lock System" ensures that the support leg's height is adjusted swiftly. Both awnings are able to accept walls using our own "Anti Flap Kit" wall attachment system.



Double Security Lock



Due to security locks on both ends of the awning, the front profile cannot open whilst driving. The locks automatically open when cranking out the awning.

Double fabric tension

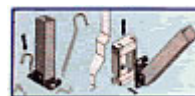


Two rigid retractable arms (53mm high) with twin cables that can take twice as much pressure as the traditional arms (32kg instead of 16kg)



Easy Support Leg System

The support legs are easily released from the front profile. The "Quick Lock" system ensures the height of the support legs is adjusted swiftly and easily. A steel spring makes sure the legs are locked.



The feet of the support legs may be located into plastic brackets fixed to the vehicle or to the ground.



Standard installation is done by hooking the awning into the adapter set supplied as standard.

Omnisol		
Length	Projection	Weight Kg
2.6 m	2.00 m	18
3.0 m	2.25 m	21
3.5 m	2.25 m	27

Omnistor 5500		
Length	Projection	Weight Kg
4.5 m	2.5 m	35.5
5.0 m	2.5 m	39
5.5 m*	2.5 m	48
6.0 m*	2.5 m	52
* 5.5 m and 6.0 m not available ex stock		

OMNISTOR 5500

The luxurious finish of the OMNISTOR 5500 and 5800 with white lacquered box is the ideal and elegant solution for



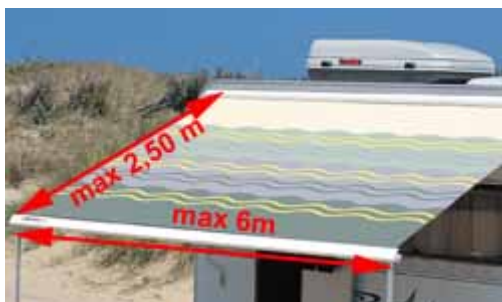
people longing for shade. The 5500 is available with lengths until 6 m and very suitable for bigger vehicles

The awning is extremely easy to operate. The built in gear is being operated with the telescopic hand crank. When cranking out the front profile, the fabric is unrolled by itself. A built in endstroke prevents the awning from rolling in the wrong way. After opening the awning the integrated support arms are easily released from the front profile.

The adjusting of the support legs is very easy due to the Quick Lock System ! the crank handle can easily be put



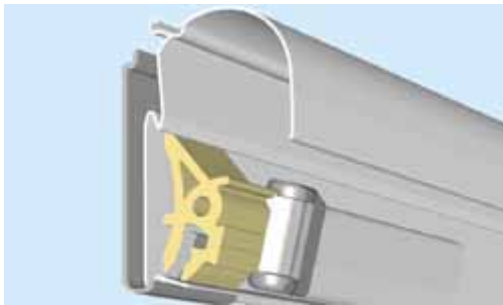
away by using the clip.



The OMNISTOR 5500 is available in lengths till 6m.

HIGHLY WIND RESISTANT

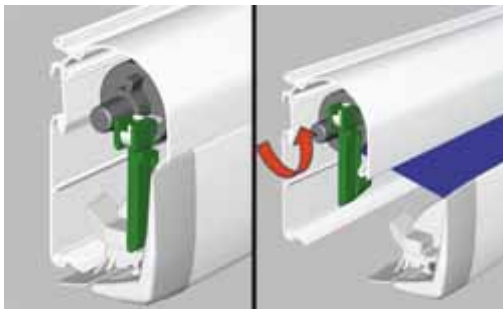
Double fabric tension.
Two rigid retractable arms (53 mm high) with twin cables that can take twice as much pressure as the traditional arms (32 kg instead of 16 kg).



The monobloc, this is the arm support that connects the retractable arm to the box and is made of DUR ALUMINIUM (Sil).

This monobloc without moving parts absorbs the movement of the arms and prevents wear.

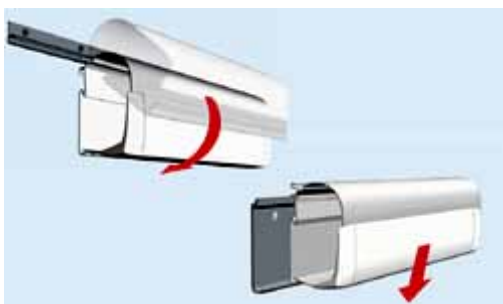
DOUBLE SECURITY LOCK



Due to the patented security locks on both ends of the awning the front profile cannot open whilst driving. The locks automatically open when cranking out the awning.



The OMNISTOR 5500 is supplied as standard with accessories for possible installation of a walls with an anti-flap kit.



Standard installation of the 5500 and 5800 is done by hooking the awning into the existing rail (A) or by means of adapterset with counterplates,

supplied as standard.

Easy support arm system



The support arms are easily released from the front profile. The "Quick Lock" system ensures the height of the support arms is adjusted swiftly and easily. A steel spring makes sure the arms are blocked.



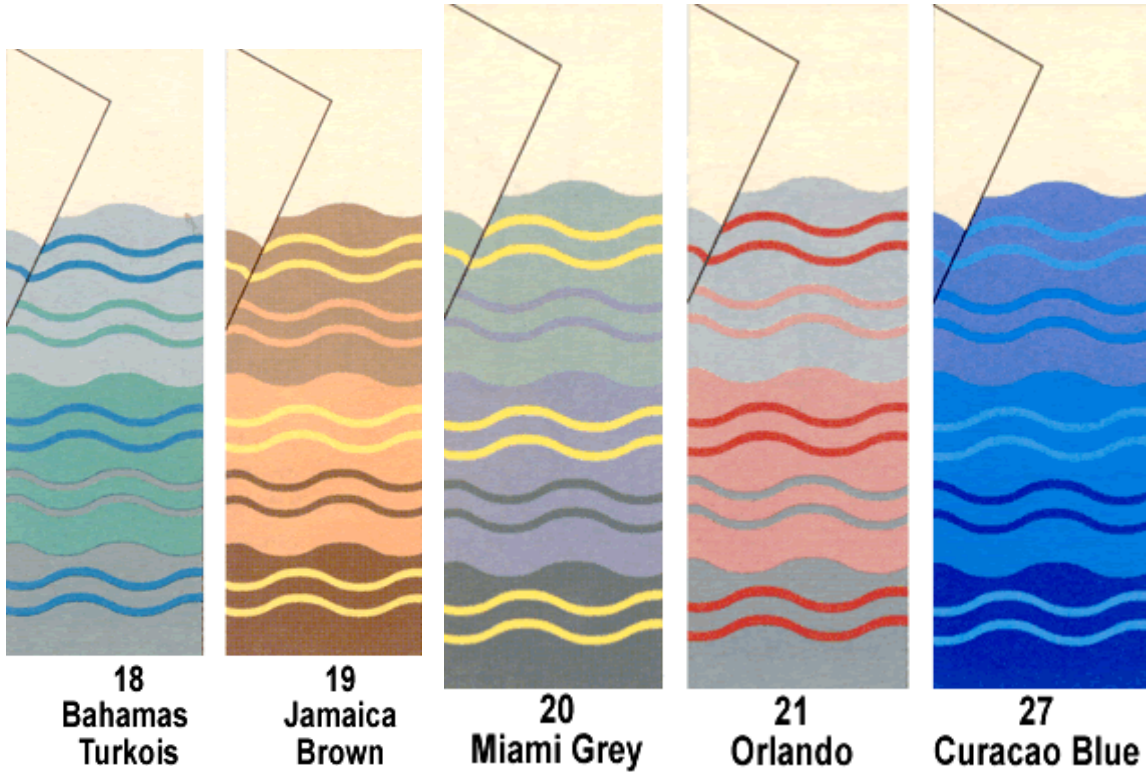
The feet of the support arms may be located into plastic brackets fixed to the vehicle wall (1) or to the ground (2) using the pegs supplied as standard.

Article No	Length	Projection	Weight	Diameter roller tube
150400	4.00 m	2.50 m	35.5 kg	63 mm
150450	4.50 m	2.50 m	39 kg	63 mm
150500	5.00 m	2.50 m	45.5 kg	63 mm
150550	5.50 m	2.50 m	48 kg	63 mm
150600	6.00 m	2.50 m	52 kg	63 mm
*** PVC Colours 10-18-20-27 standard - others colours on request				

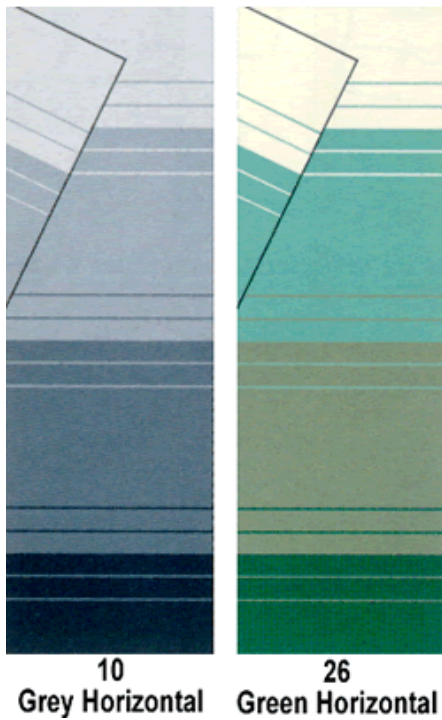
Omnistor Fabric Range

This is a selection of fabrics available for Omnistor Products. This is an indication of colour ways only and actual colours available are subject to confirmation at the time of order.

New Wave PVC



Horizontal PVC



New Wave PVC and Horizontal PVC Properties

- The topcoat of the PVC fabric resists scratching and fading and reflects the heat
- Vinyl with painted pattern
- High strength polyester scrim
- Vinyl with painted pattern